



(12) **United States Design Patent** (10) **Patent No.:** **US D927,905 S**
Huang et al. (45) **Date of Patent:** **** Aug. 17, 2021**

(54) **TABLE**
 (71) Applicant: **Gabriella White, LLC**, Pelham, AL (US)
 (72) Inventors: **Kai-ning Huang**, Pelham, AL (US); **Christopher Joseph Hutchens**, Pelham, AL (US)
 (73) Assignee: **Gabriella White, LLC**, Pelham, AL (US)
 (**) Term: **15 Years**
 (21) Appl. No.: **29/708,808**
 (22) Filed: **Oct. 9, 2019**
 (51) **LOC (13) Cl.** **06-03**
 (52) **U.S. Cl.** **D6/692**
 USPC **D6/692**
 (58) **Field of Classification Search**
 USPC D6/349, 685, 686, 690, 692, 692.1-692.6
 CPC A47B 7/00; A47B 13/00; A47B 13/02; A47B 13/023; A47B 13/04; A47B 13/06; A47B 13/08; A47B 13/10; A47B 13/12; A47B 2013/024; A47B 17/00; A47B 21/00; A47B 2200/0001; A47B 2200/0002; A47B 2200/0003; A47B 2200/0004; A47B 2200/0011; A47B 2200/002

See application file for complete search history.

(56) **References Cited**
U.S. PATENT DOCUMENTS
 3,536,359 A * 10/1970 Amos A47C 13/00 297/462
 D545,071 S * 6/2007 Potter D6/336
 D590,632 S * 4/2009 Zak D6/668
 D870,499 S * 12/2019 Aubry A47C 13/00 D6/692.3
 D917,905 S * 5/2021 Li D6/352

OTHER PUBLICATIONS
 Nausica Round Coffee Table—Lulu and Georgia <https://www.luluandgeorgia.com/nausica-round-coffee-table> retrieved from the internet on Nov. 1, 2020.*

Proctor Low Round Wood Table—CB2 https://www.cb2.com/proctor-low-round-wood-coffee-table/s324296?localedetail=US?&scid=secbplp324296&sc_intid=324296&msclid=90654818e30019fb258a28d9fc906cce&utm_source=bing&utm_medium=cpc&utm_campaign=SC%20Shopping%20-%20CB2%20-%20Bing%20-%20Brand&utm_term=4582695758451766&utm_content=SC%20-%20All%20Products retrieved from the internet on Nov. 1, 2020.*
 Raymond Cross Legs Coffee Table by Kosas Home—Perigold <https://www.perigold.com/furniture/pdp/kosas-home-raymond-cross-legs-coffee-table-kosa2545.html> retrieved from the internet on Jun. 9, 2021.*
 VidaXL Coffee Table Solid Reclaimed Wood Round End Side Living Room Stand—Houzz <https://www.houzz.com/products/vidaxl-coffee-table-solid-reclaimed-wood-round-end-side-living-room-stand-prvw-vr-93990561> retrieved from the internet on Jun. 9, 2021.*
 Clifton Coffee Table—Gabby Home <https://gabbyhome.com/products/clifton-coffee-table/> retrieved from internet on Jun. 9, 2021.*

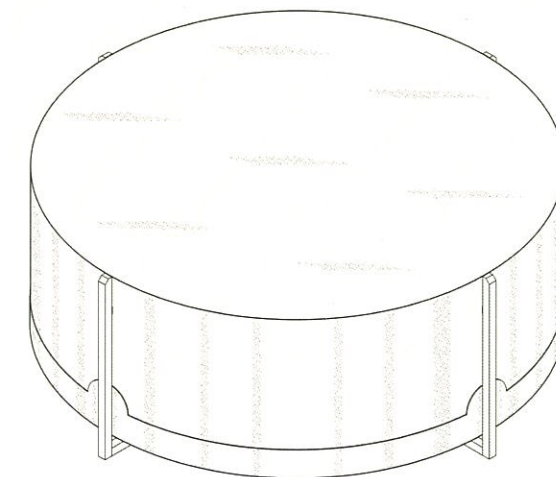
* cited by examiner

Primary Examiner — Mary Ann Calabrese
 (74) *Attorney, Agent, or Firm* — C. Brandon Browning; Maynard, Cooper & Gale, PC

(57) **CLAIM**
 The ornamental design for a table, as shown and described.

DESCRIPTION
 FIG. 1 shows a perspective view of a table showing my new design.
 FIG. 2 shows a top view of the table.
 FIG. 3 shows a front view of the table; and,
 FIG. 4 shows a rear view of the table.

1 Claim, 4 Drawing Sheets



Maintenance Fee Notice

No maintenance fees are required in design patents.

Patent Term Notice

If the application for this patent was filed on or after May 13, 2015, the term of this patent is 15 years from the date of grant of this patent, subject to any disclaimer under 35 U.S.C. 253. If the application for this patent was filed prior to May 13, 2015, the term of this patent is 14 years from the date of grant of this patent, subject to any disclaimer under 35 U.S.C. 253.